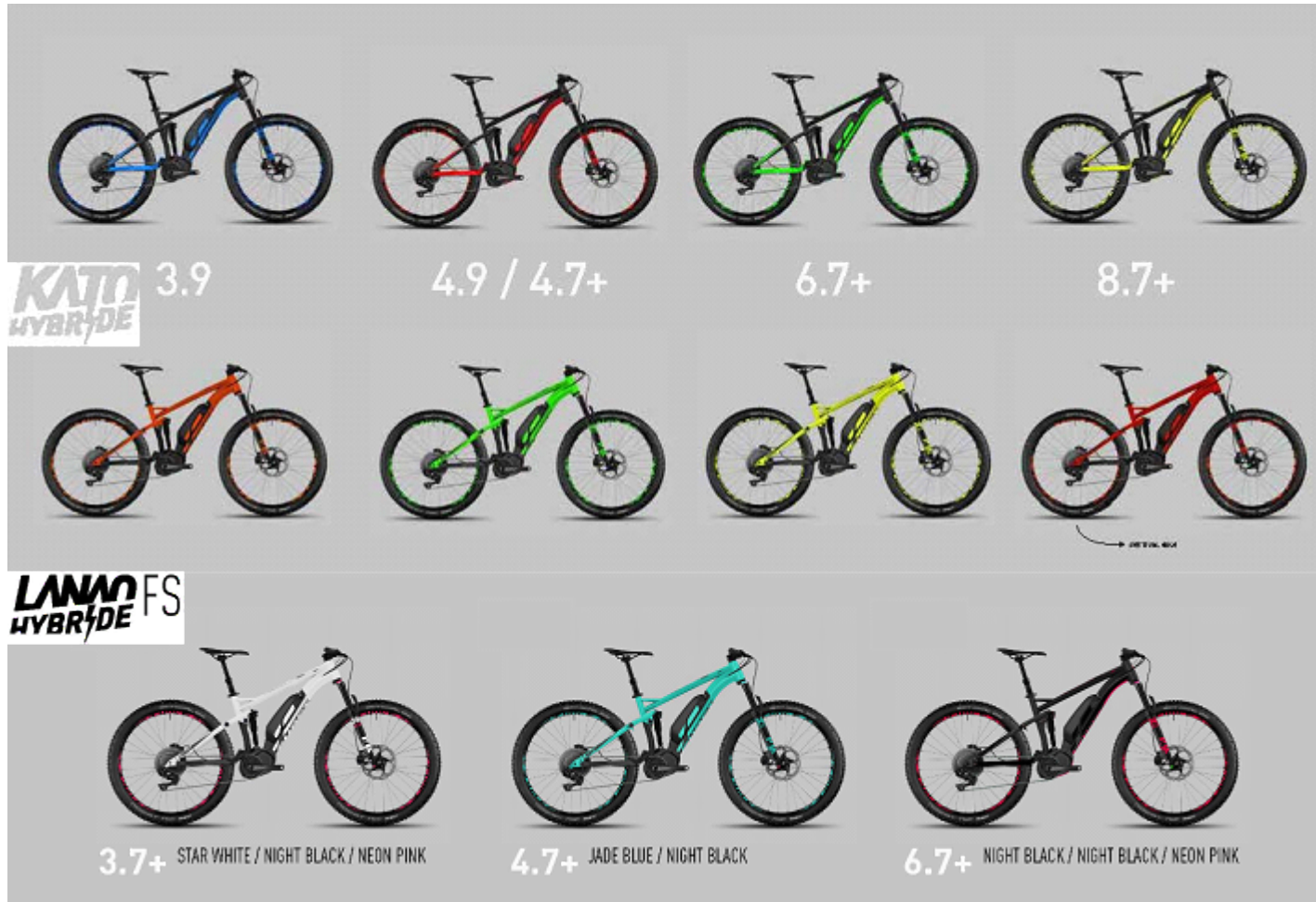


ÜBERSICHTSZEICHNUNG ASSEMBLY DRAWING

GHOST



HYB KATO FS & HYB LANAO FS (MY18)

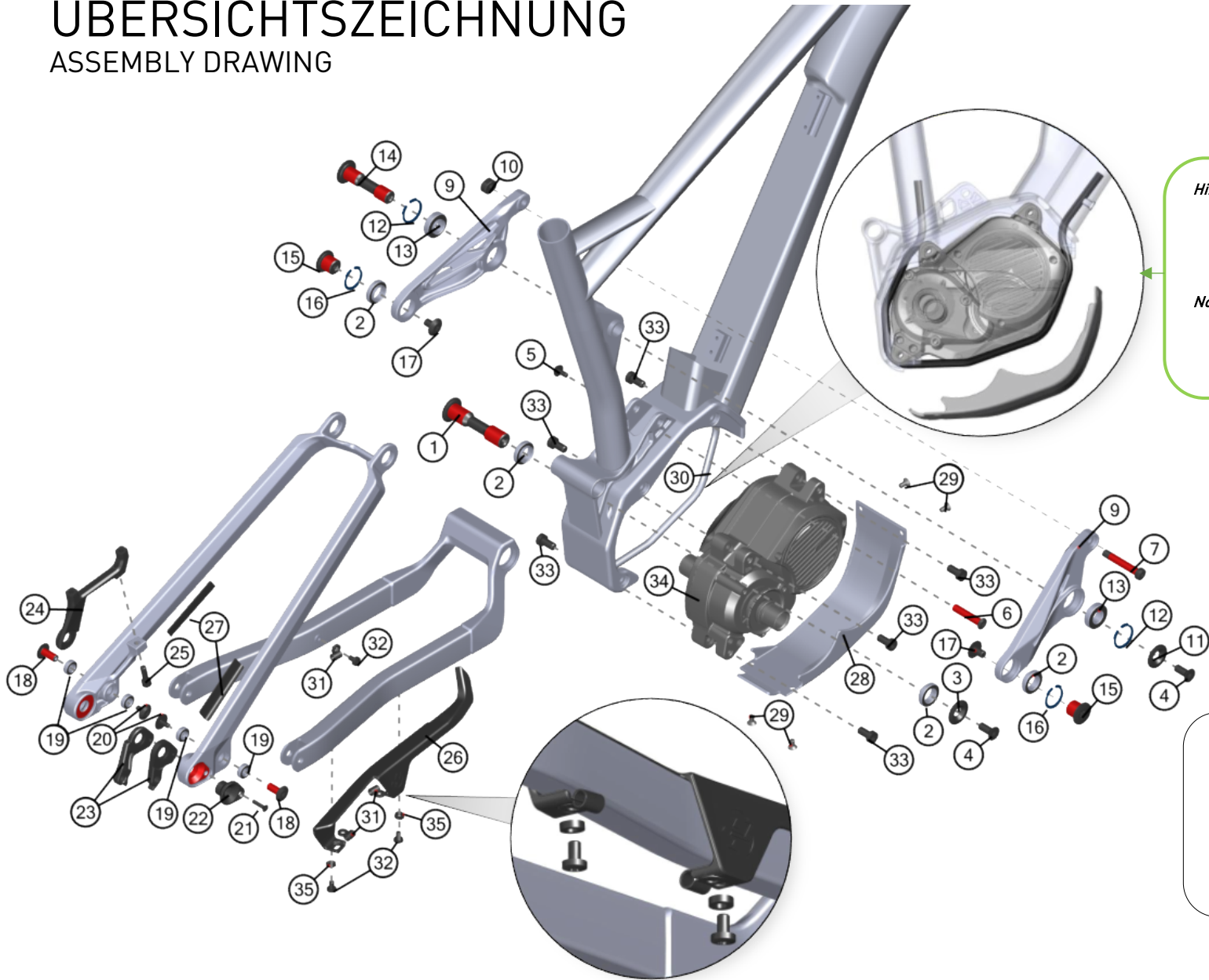
2017-07-07

V01

ÜBERSICHTSZEICHNUNG

ASSEMBLY DRAWING

GHOST



Hinweis:

Der PVC - Schlauch wird vom Unterrohr zwischen Motor und Cover zum Sitzrohr verlegt.
Für bessere Bewegung der Leitung Silikonspray in den Schlauch sprühen.

Note:

The PVC - tube runs from downtube between drive unit and cover to the seattube.
For better moving of the cable use siliconspray.

Hinweis:

Bei Schrauben muß mittelfeste Gewindefestigkeit verwendet werden.
Rote Flächen müssen gefettet werden.

note:

use medium strength screwlock for screw threads.
red surfaces has to be greased.

ÜBERSICHTSZEICHNUNG

ASSEMBLY DRAWING

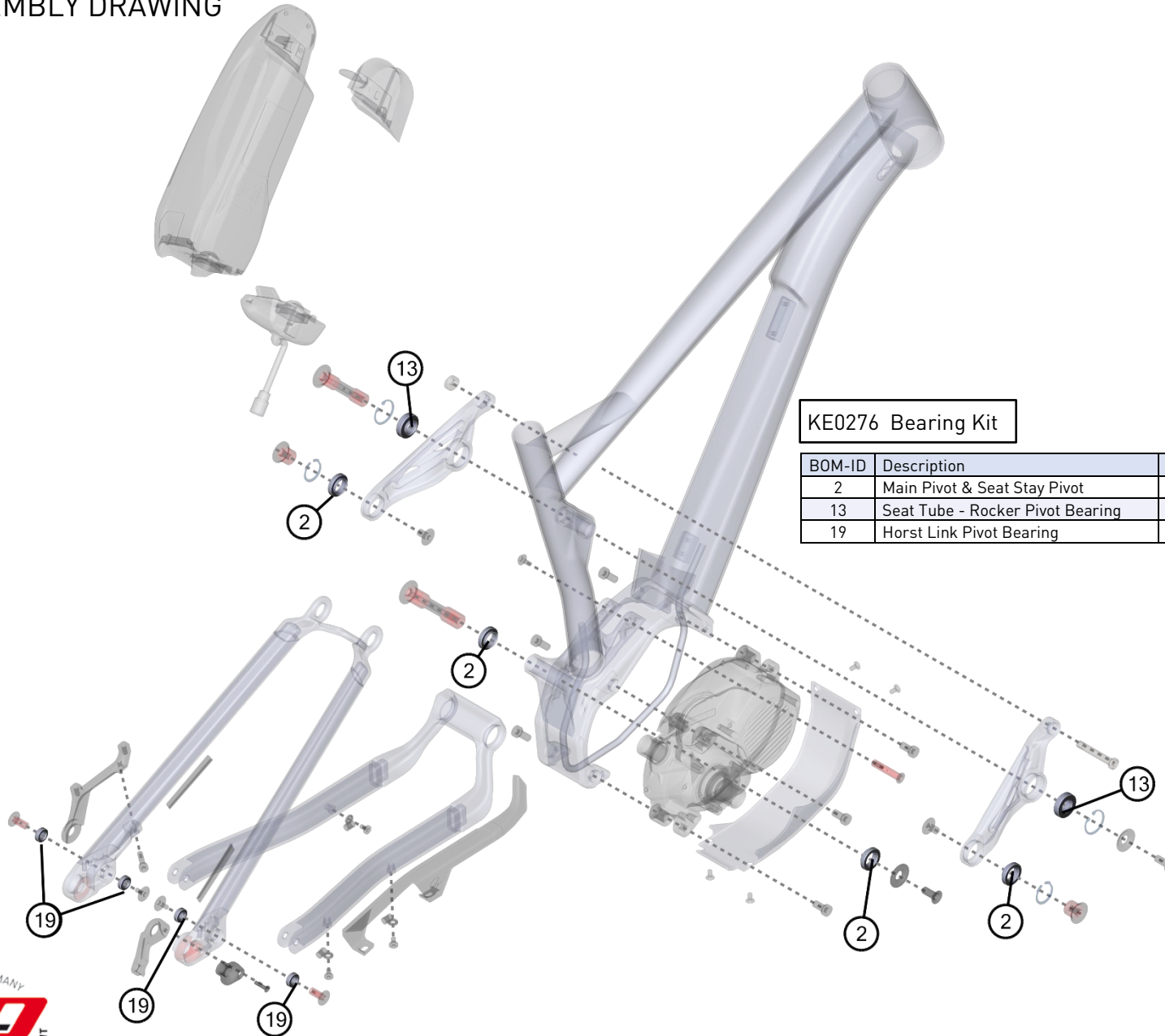
GHOST

BOM-ID	Description	Specification	Torque	Item no.	QTY
1	Axel Main Pivot	T50 - ø17 (M8)	8 Nm	FRAX0002	1
2	Main Pivot & Seat Stay Pivot			SM1379	4
3	Cap Nut Main Pivot			SM1370	1
4	Flat Head Screw M8	T30 - M8 x 20mm	8 Nm or 12 Nm	SM1375	2
5	Screw Shock Mount	T25 - M5 x 12mm	6 Nm	SM1377	1
6	Axle Shock	T30 - ø8 (M5) x 40mm		SM1368	1
7	Axle Shock Mount Bolt Top			FRAX0005	1
9	Rocker two piece			FROT0024	2
10	Insert nut for Rocker			FRNT0004	1
11	Cap Rocker Fix Pivot			FROT0020	1
12	Circlip RFP	28mm DIN 472		FRWS0028	2
13	Seat Tube - Rocker Pivot Bearing			SM1380	2
14	Axle Rocker Fix Pivot	T50 - ø15 (M8) x 62,5mm	12 Nm	FRAX0006	1
15	Axle Seat Stay Pivot	T50 - ø17 (M8) x 13,5mm	8 Nm	FRAX0007	2
16	Circlip SSP	26mm		FRWS0026	2
17	Screw SS Yoke	T30 - M8 x 13mm	8 Nm	SM1378	2
18	Axle Horst Link	T30 - ø8 (M5) x 18,9mm	6 Nm	SM1363	2
19	Horst Link Pivot Bearing			SM1381	4
20	Screw CS&DO	T25 - M5 x 11mm	6 Nm	SM1376	2
21	Flat Head Screw M4	T15 - M4 x 20mm	0,8 Nm	FRSC0060	1
22	Hanger Mount			FRNT0061	1
23	Shimano Hanger (A1) / SRAM Hanger (A2)			FRHG0058/FRHG0057	1
24	Disc Brake Mount			FROT0013	1
25	Post Mount Screw	T30 - M6 x 26mm	8 Nm	SM1372	1
26	C/S protector			FRPR0009	1
27	S/S Protector			SM1392	2
28	Interface Cover			FROT0015	1
29	Cover Screw			FRSC0051	4
30	PVC tube	ø6mm		SM1615	1
31	Cable Guide 1 cable			SM0002	3
32	Cable Guide Screw	T25 - M5 x 11mm	5 Nm	SM0919	3
33	DU Screw	Hex 5 - M8 x 20mm (8.8)		SM1616	6
34	Drive Unit DU-E8000			EL0222	1
35	Unterlegscheibe für Frame Protector			FRWS0002	2

ÜBERSICHTSZEICHNUNG

ASSEMBLY DRAWING

GHOST



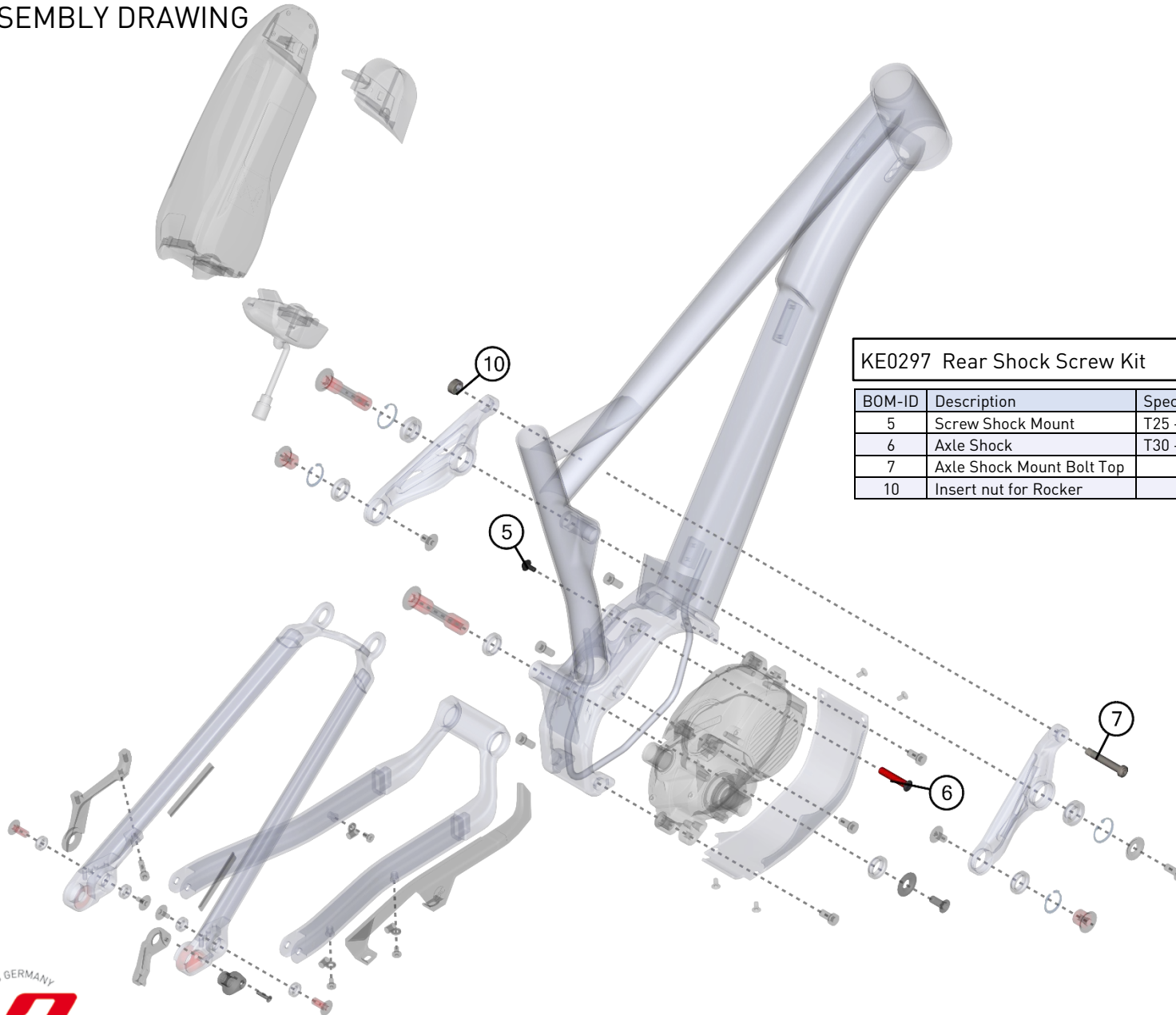
KE0276 Bearing Kit

BOM-ID	Description	Item no.	QTY
2	Main Pivot & Seat Stay Pivot	SM1379	4
13	Seat Tube - Rocker Pivot Bearing	SM1380	2
19	Horst Link Pivot Bearing	SM1381	4

ÜBERSICHTSZEICHNUNG

ASSEMBLY DRAWING

GHOST



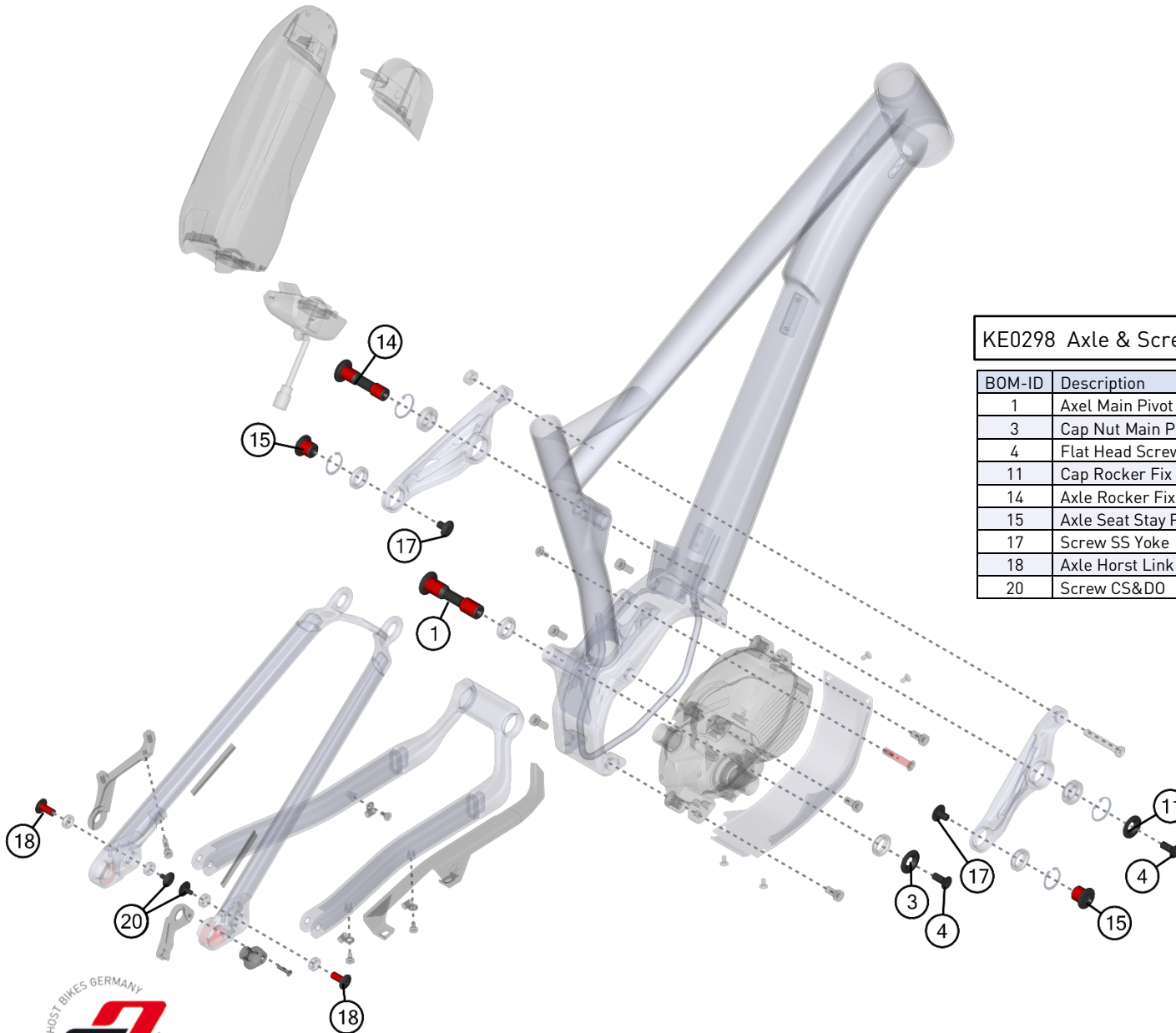
KE0297 Rear Shock Screw Kit

BOM-ID	Description	Specification	Torque	Item no.	QTY
5	Screw Shock Mount	T25 - M5 x 12mm	6 Nm	SM1377	1
6	Axle Shock	T30 - ø8 (M5) x 40mm		SM1368	1
7	Axle Shock Mount Bolt Top			FRAX0005	1
10	Insert nut for Rocker			FRNT0004	1

ÜBERSICHTSZEICHNUNG

ASSEMBLY DRAWING

GHOST



KE0298 Axle & Screw Kit

BOM-ID	Description	Specification	Torque	Item no.	QTY
1	Axel Main Pivot	T50 - ø17 (M8)	8 Nm	FRAX0002	1
3	Cap Nut Main Pivot			SM1370	1
4	Flat Head Screw M8	T30 - M8 x 20mm	8 Nm or 12 Nm	SM1375	2
11	Cap Rocker Fix Pivot			FROT0020	1
14	Axle Rocker Fix Pivot	T50 - ø15 (M8) x 62,5mm	12 Nm	FRAX0006	1
15	Axle Seat Stay Pivot	T50 - ø17 (M8) x 13,5mm	8 Nm	FRAX0007	2
17	Screw SS Yoke	T30 - M8 x 13mm	8 Nm	SM1378	2
18	Axle Horst Link	T30 - ø8 (M5) x 18,9mm	6 Nm	SM1363	2
20	Screw CS&DO	T25 - M5 x 11mm	6 Nm	SM1376	2